

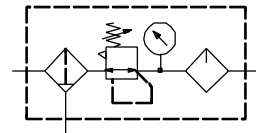


Service units, 3-part

Size 2

VW 14	VW 15	VW 16
--------------	--------------	--------------

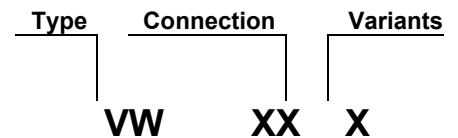
G 1/2
G 3/4
G 1 (Connection plate)
0,5...10bar 40 µm



Characteristics

Type	VW 14	VW 15	VW 16
Connection	G 1/2	G 3/4	G 1
Type of construction	Centrifugal-principle filter - Sintered filter element (polyethylene) Diaphragm pressure regulator - Independent of inlet pressure - Reversible Proportional oil-mist lubricator		
Input pressure p_1	Max. 16 bar with plastic tank Max. 20 bar with metal tank		
Input pressure p_1 with automatic draining	Max. 16 bar Min. 1.5 bar		
Mounting position	Vertical, drain plug at bottom		
Mounting type	Bracket		
Medium temperature Ambient temperature	Max. 50 °C		
Medium temperature (metal) Ambient temperature (metal)	Max. 80 °C		
Pore diameter in the filter element	40 µm		
Effective tank capacity - Filter - Oil-mist lubricator	Max. 85 cm ³ Max. 125 cm ³		
Condensate draining	Manual, fully automatic		
Oil grade	DIN 51524 – ISO VG 32		
Lubricator function (start of delivery)	From 150 l/min		
Weight [g]	VW15 2800	VW16 3400	

Ordering information



Connection	
X = 14	G 1/2
X = 15	G 3/4
Variants	
X = S	Bowl guard
X = M	Metal bowl
Order example: VW 14 M	
Please use the suffix »A« to order automatic draining	

Description
- Block design - Flow direction indicated by arrows on front plate

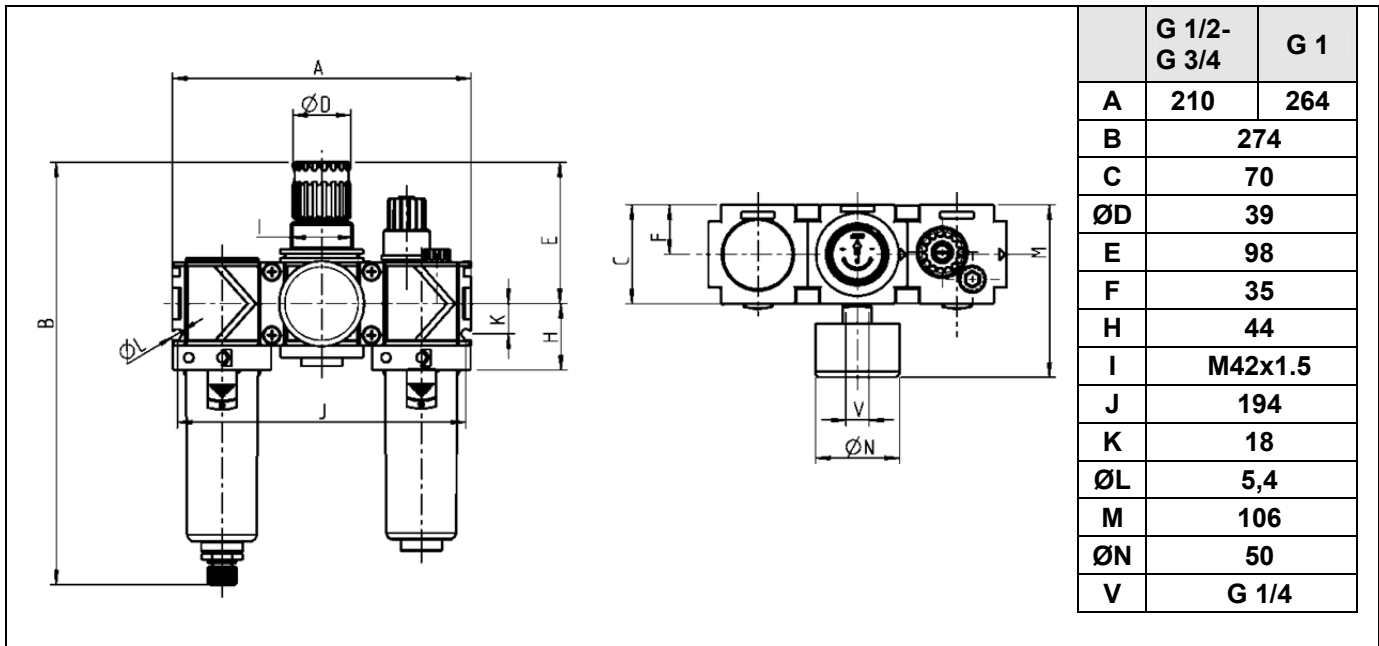
Accessories

Fixing bracket	630/2-B
Compact conn. set G 1/2	VZ 103
Tee holder for VZ 103 / VZ 104	VZ 302
Compact conn. set G 3/4	VZ 104
Fixing bracket	VZ 719
Plastic tank Filter	VZ 502
Plastic tank with automatic drain valve	VZ 512
Metal tank Filter	VZ 552
Metal tank with automatic drain valve	VZ 562
Automatic drain valve	655.6.900
Plastic tank Oil-mist lubr.	VZ 602
Metal tank Oil-mist lubr.	VZ 652

Materials

Part	Material
Head piece (housing)	Z 410
Spring bonnet / handwheel	PA / POM
O-rings	NBR
Diaphragms	NBR / brass
Filter element 40 µm	PE (sintered)
Condensate tank	Polycarbonate
Swirl plate	PA
Disconnecting cap	PA
Drip attachment (metering unit)	PA

Dimensions [mm]



VW 14

VW 15

VW 16

Special units

Main spare parts

Part	Part No.
Set of wearing parts	VZ 782
Filter element 40 µm	VZ 742
Drip attachment	VZ 721
Drip attachment, metal	VZ 731

Part	
Filter element 5 µm	VZ 742/5
NPT thread	On request

Flow rates

		VW 14	VW 15	VW 16
Nominal flow p ₂ 6 bar / Δ 1 bar	QN [l/min]	3400	5000	5000

Standards and directives

98/37/EC (PED)	Scope: Art. 3, Section 3 Unmarked (acc. to Annex II, Diagram 2, Art. 3, Section 3 is applicable)
94/9/EC (ATEX)	Zone 1 (Gas-Ex, Category 2G), explosion groups IIA and IIB Zone 2 (Gas-Ex, Category 3G), explosion groups IIA and IIB Exceptions: 3/2-way on-off valves, Part Nos. VS 22 / VS 23 / VS 24 / VS 25 / VS 26

Interlocking / mounting

»variobloc«

Size 1 G 1/4

Fixing bracket and fixing nut	630/1-B
Fixing bracket and two screws	VZ 718
Compact connecting set	VZ 101
Compact conn. set, incl. tee holder	VZ 201
Comfort connecting set	VZ 401
Tee holder (separate)	VZ 301

Size 1 G 3/8

Fixing bracket and fixing nut	630/1-B
Fixing bracket and two screws	VZ 718
Compact connecting set	VZ 102
Compact conn. set, incl. tee holder	VZ 202
Comfort connecting set	VZ 402
Tee holder (separate)	VZ 301

Size 2 G 1/2

Fixing bracket and fixing nut	630/2-B
Fixing bracket and two screws	VZ 719
Compact connecting set	VZ 103
Compact conn. set, incl. tee holder	VZ 203
Tee holder (separate)	VZ 302

Size 2 G 3/4 - G 1

Fixing bracket and fixing nut	630/2-B
Fixing bracket and two screws	VZ 719
Compact connecting set	VZ 104
Compact conn. set, incl. tee holder	VZ 204
Tee holder (separate)	VZ 302

