

## »GA-mini« Series

GAL 05, GAL 06

Symbol



### Product features

Proportional lubricators, oil can be filled under pressure.

### Specifications / Technical data

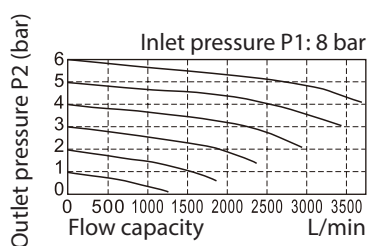
Type	Size 200	
	GAL 05	GAL 06
Fluid	Air	
Port size	1/8"	1/4"
Pressure range	0.5 to 9 bar (0.05 to 0.9 MPa, 7 to 130 psi)	
Inlet pressure max.	10 bar (1.0 MPa, 145 psi)	
Temperature range	-5 to 70 °C	
Capacity of oil bowl	24 cm <sup>3</sup>	
Weight	155 g	
Drop rate at qv = 1000 l/min	1 to 2 drops/min (recommended value)	
Oil grade	Mineral oil, viscosity 32 cSt, acc. to DIN 51524 - ISO VG 32	

### Ordering information

Type	description
GAL 05, GAL 06	Oil-mist lubricators with polycarbonate bowl and »HW« mounting bracket

### Flow chart

GAL 05, GAL 06

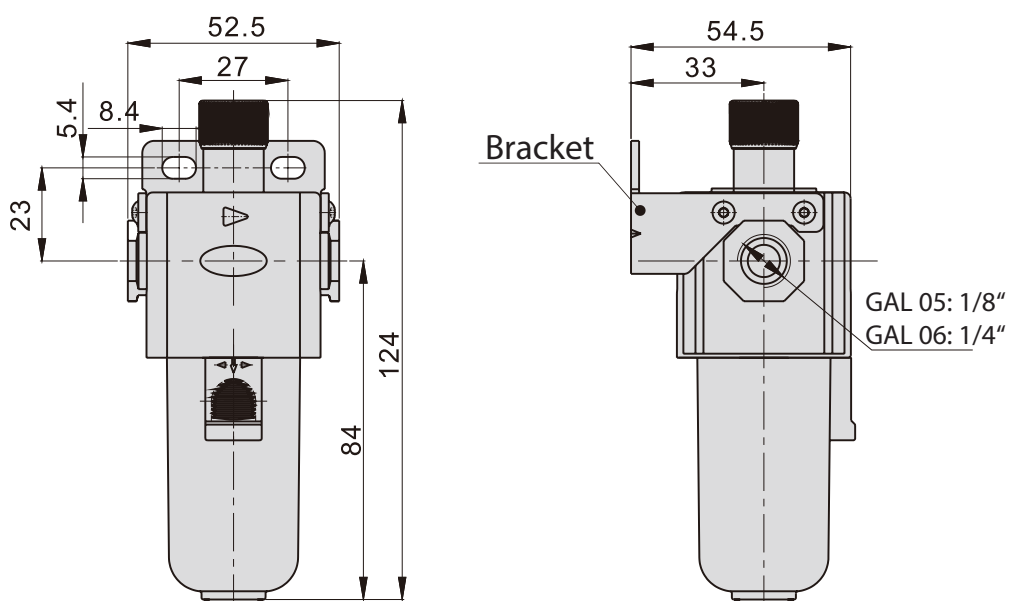


## »GA-mini« Series

GAL 05, GAL 06

## Body dimensions

GL 05, GL 06

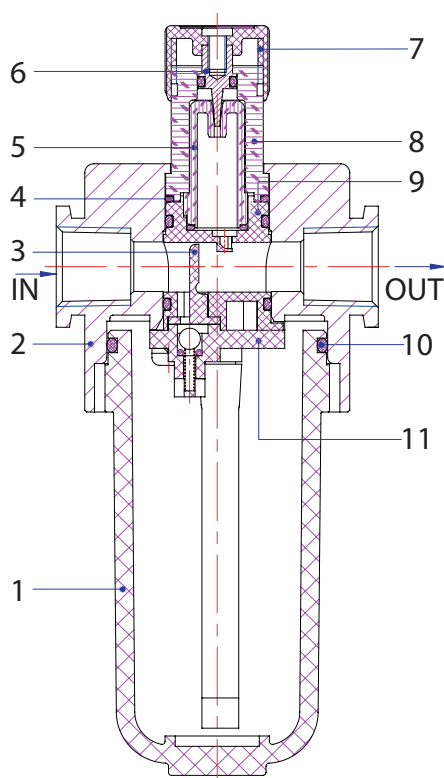


**»GA-mini« Series**

GAL 05, GAL 06

**Components and materials**





No.	Item	Material
1	Oil Bowl	PC
2	Body of lubricator	Aluminum alloy
3	Distance block	PU
4	O-ring	NBR
5	Drip pipe	PC
6	Ejector pin	Brass
7	Adjusting ring	POM
8	Adjusting locker	PC
9	Sprayer body	PA66
10	O-ring	NBR
11	Sprayer bottom cap	POM



**»GA-mini« Series**

GAL 05, GAL 06

**Accessories**

	<b>Art. No.</b>	<b>Type</b>	<b>description</b>
	149147	HW 201-A	Mounting bracket, incl. 4 screws
	116612	UB 200	Joiner without wall mounting
	116515	LB 200	Joiner with wall mounting, 1 drilled hole
	116608	TB 200	Joiner with wall mounting, 2 drilled holes