



## Filter regulators

Size 2

**VFR 43**

G 1/2

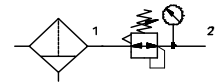
**VFR 53**

G 3/4

**VFR 63**

G 1 (with connection plates)

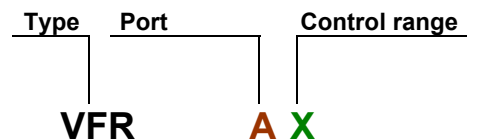
0.5 to 10 bar



### Characteristics

<b>Type</b>	<b>VFR 43</b>
<b>Port</b>	<b>G 1/2</b>
<b>Type</b>	<b>VFR 53</b>
<b>Port</b>	<b>G 3/4</b>
<b>Type</b>	<b>VFR 63</b>
<b>Port</b>	<b>G 1</b>
Type of construction	<b>Diaphragm pressure regulator</b> - Independent of inlet pressure - Reversible <b>Centrifugal filter</b> Filter element 40 µm (optional: 5 µm)
Input pressure p <sub>1</sub>	<b>Max. 16 bar (metal bowl: max. 20 bar)</b>
<b>Control range</b>	<b>0.5 to 10.0 bar</b>
Mounting position	Vertical / note the flow direction
Mounting type	Bracket
Medium temperature Ambient temperature	Max. 50 °C (metal bowl: max. 80 °C)
Weight [g] (w/o pr. gauge)	1150 (G 1 1610)

### Ordering information



<b>Port</b>	
<b>A = 4</b>	<b>G 1/2</b>
<b>A = 5</b>	<b>G 3/4</b>
<b>A = 6</b>	<b>G 1</b>
<b>Control range</b>	
On request	<b>0.5 to 6.0 bar</b>
<b>X = 3</b>	<b>0.5 to 10.0 bar</b>
On request	<b>0.5 to 16.0 bar</b>
<b>Order example: VR 43</b>	
Pressure gauge included	

### Description

- Block design
- **Flow direction** indicated by **arrow** on front plate
- **Port size G 1** with connection plates

### On request

- Front plates with private label

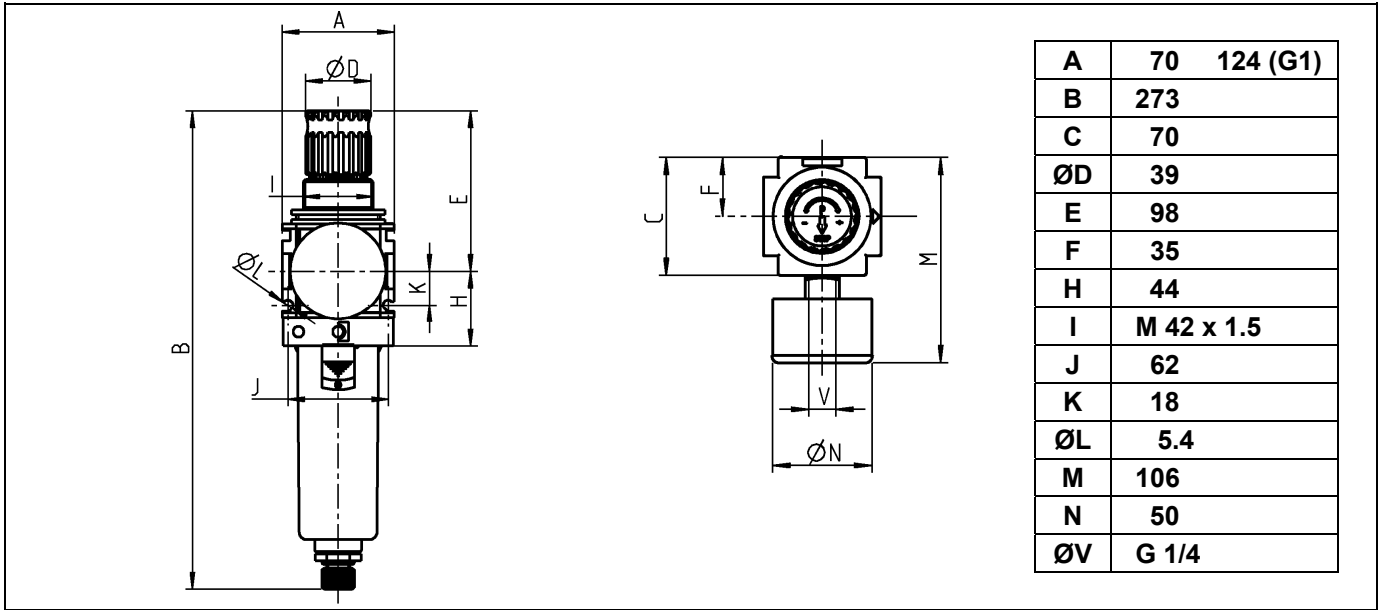
### Materials

<b>Part</b>	<b>Material</b>
Head piece (body)	Z 410
Spring bonnet / adjusting knob	PA 6 / POM
O-rings	NBR
Diaphragm	NBR / brass
Pressure pin	NBR / brass
Front plates	ABS

### Accessories

Mounting bracket	<b>630/2-B</b>
Block mounting with other "Variobloc" devices	
- Compact joiner set <b>G 1/2</b>	<b>VZ 103</b>
- Compact joiner set <b>G 3/4</b>	<b>VZ 104</b>
- Compact joiner set <b>G 1</b>	<b>VZ 104</b>
Pressure gauge (replacement)	
- 10 bar	206-KD

Dimensions [mm]



VFR 43    VFR 53    VFR 63

VFR 63

Main spare parts

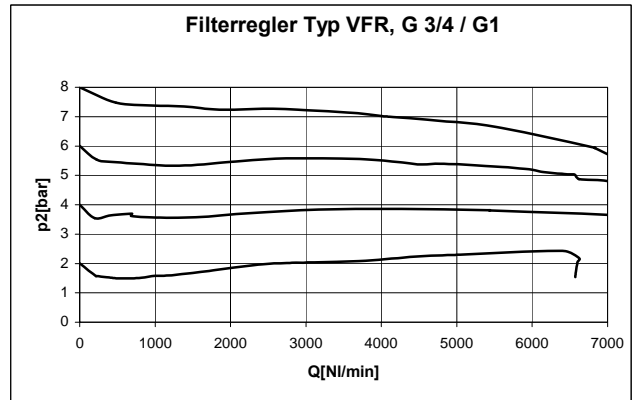
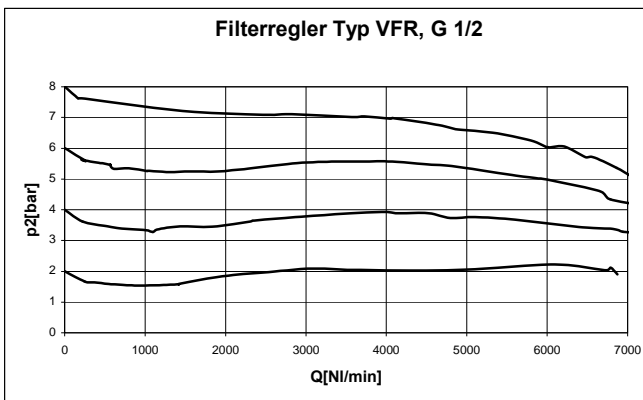
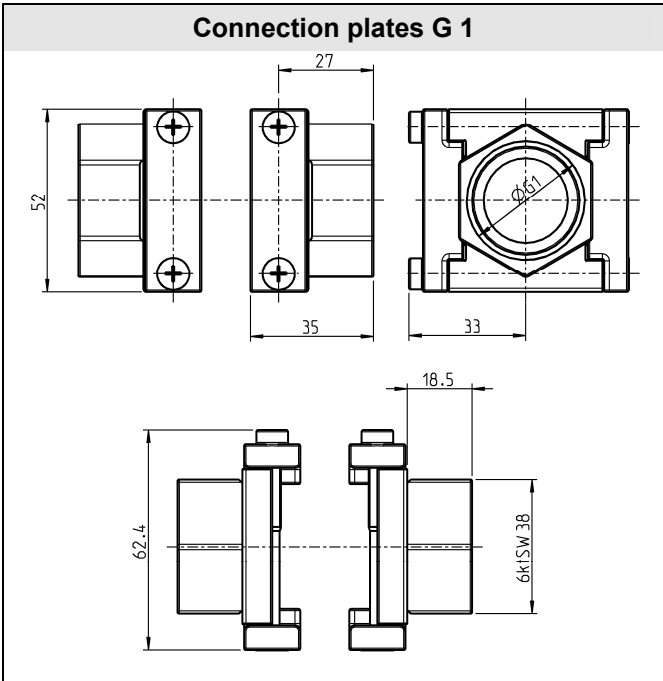
Part	Part No.
Set of wearing parts	VZ 782
Filter element 40 µm	VZ 742

Flow rates

Output pressure p <sub>2</sub>		VFR 43	VFR 53 VFR 63
Nominal flow p <sub>2</sub> 6 bar / Δ 1 bar	QN [l/min]	5500	6500

Special parts

Part	Part No.
Filter element 5µm	VZ 742/5



© Riegler 3-21

**Interlocking / mounting**

**Variobloc**

**Size 1 G 1/4**

Fixing bracket and fixing nut	630/1-B
Fixing bracket and two screws	VZ 718
Compact connecting set	VZ 101
Compact conn. set, incl. tee holder	VZ 201
Comfort connecting set	VZ 401

**Size 1 G 3/8**

Fixing bracket and fixing nut	630/1-B
Fixing bracket and two screws	VZ 718
Compact connecting set	VZ 102
Compact conn. set, incl. tee holder	VZ 202
Comfort connecting set	VZ 402

**Size 2 G 1/2**

Fixing bracket and fixing nut	
Fixing bracket and two screws	
Compact connecting set	
Compact conn. set, incl. tee holder	
Comfort connecting set	

**Size 2 G 3/4**

Fixing bracket and fixing nut	
Fixing bracket and two screws	
Compact connecting set	
Compact conn. set, incl. tee holder	
Comfort connecting set	

