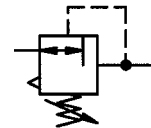




Precision pressure regulator
Size 3

RP 33
G 1/2

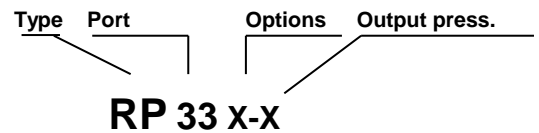
0.1 to 3.0 bar
0.2 to 6.0 bar
0.5 to 10.0 bar



Characteristics

Type	RP 33
Port	G 1/2
Pressure gauge port	G 1/4
Type of construction	Diaphragm pressure regulator with self-relieving design Special versions on request
Control range p ₂	0.1 to 3.0 bar / 0.2 to 6.0 bar / 0.5 to 10.0 bar
Mounting position	Any / note direction of arrow
Max. input pressure p ₁	16 bar
Own air consumption	2.6 l/min, depending on secondary pressure
Mounting type	Panel mounting, hole Ø50.5 Bracket or two through holes
Medium temperature	Max. 60°C
Ambient temperature	Max. 60°C
Weight [g]	850 / 980 with pressure gauge

Ordering information



Options	
K	Lockable adjusting knob
Output pressure [bar]	
3	0.1 - 3.0
6	0.2 - 6.0
10	0.5 - 10.0

Materials

Part	Material
Head piece (body)	Zinc - Z 410
Spring bonnet	POM-brass
Diaphragm	→ NBR-brass
Pressure spring	Galvanised steel
Valve cone, cmpl.	→ NBR-brass
Counter-pressure spring	Stainless steel
O-ring 50 x 2	→ NBR
Cover	PC
Spring bonnet, lockable	POM-AI
Lock cylinder	Brass

Description

- Block design
- Simple block mounting with other devices using conical clamps and half threads
- Joiner sets (**KP 33**) required for block mounting
- Pressure setting can be locked by pushing the knob down
- Flow direction indicated by arrows
- **Entry in direction of arrow**
- **Independent of inlet pressure**
- Pressure gauge Ø63 included
- Pressure gauge can be mounted at both ends
- Lockable adjusting knob

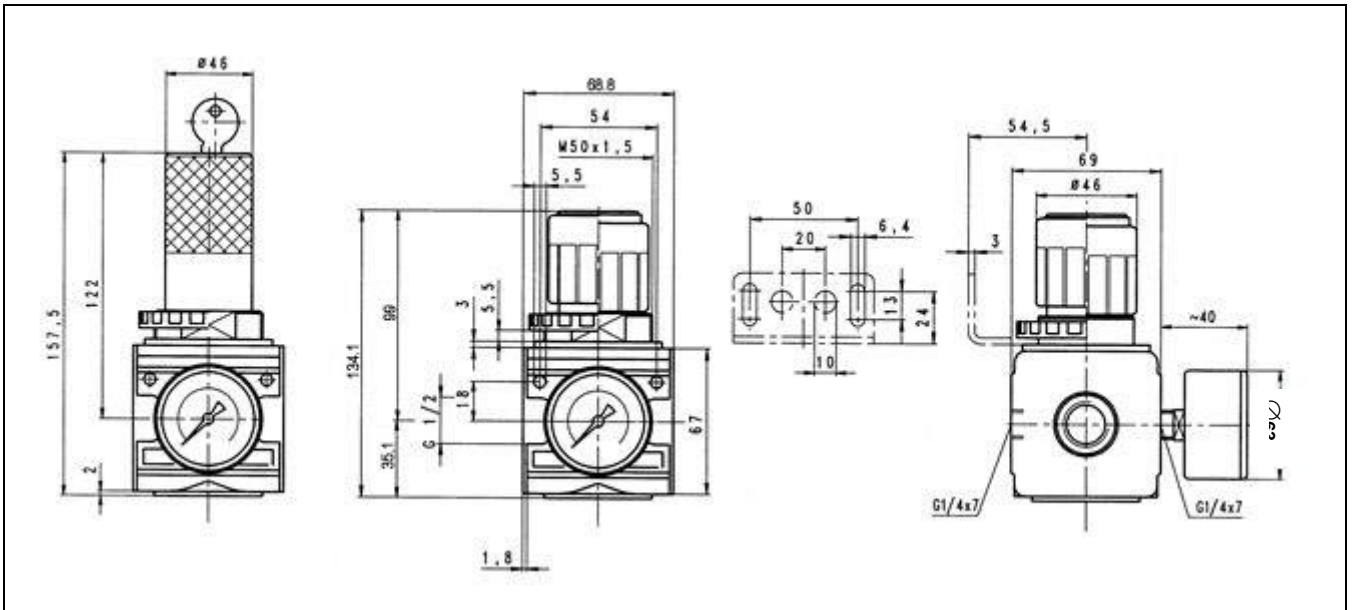
Accessories

Designation	Order No.
Nut M 50 x 1.5	R 33-55
Mounting bracket with nut R 33-55, cmpl.	MV 50
Mounting bracket with 2 screws, cmpl.	ZW 33
Joiner set(s) for block mounting with other devices	KP 33
Joiner set for narrow diverter block	KP 33 Z

Main spare parts

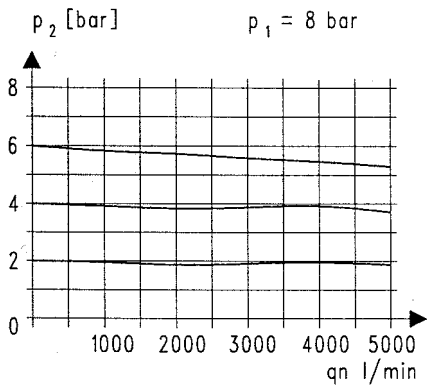
Part	Part No.
→ Set of wearing parts - Diaphragm, cmpl. - Valve cone, cmpl. - O-ring 50 x 2	22.1633.4
Pr. gauge Ø63, G1/4 0 to 4 bar	215-KD
0 to 10 bar	217-KD
0 to 16 bar	218-KD

Dimensions [mm]



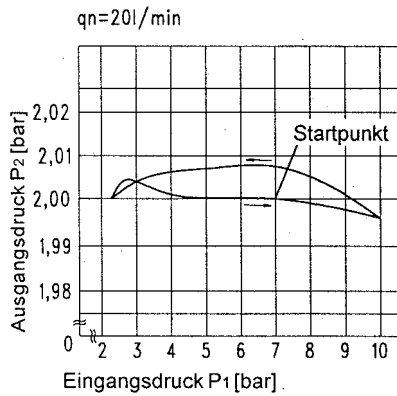
Flow characteristic

Control range 0.5 to 10 bar



Hysteresis

Hysteresis of p_2 as a function of rising (falling) p_1 at a constant draw-off rate q_n 20 l/min
 Basic setting (starting point): p_1 : 7.0 bar
 p_2 : 2.0 bar



Flow rates

Flow rates at $p_1 = 10$ bar

Art. No.		RP 33-3	RP 33-6	RP 33-10
Output pressure $p_2 = 6.3$ [bar]	QN m ³ /h	360	360	360
Nominal flow ($\Delta p = 1$ bar)	l/min	7600	7600	7600

Art. No.	Ident No.
RP 33-3	100457
RP 33-6	100458
RP 33-10	100459
R 33-55	100440
MV 50	100439
ZW 33	100441
KP 33	100442
KP 33 Z	100443
22.1633.4	100461
215-KD	101223
217-KD	101244
218-KD	101398