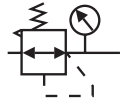


»G« Series

GR 11–GR 55

Symbol



Product features

- Reversible diaphragm pressure regulators, independent of inlet pressure, with self-relieving design.
- The pressure setting can be locked by pushing the button down.

Specifications / Technical data

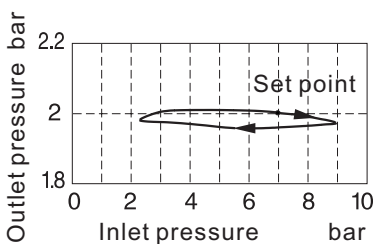
Art. No.	Size 300			Size 400		Size 600	
	GR 11	GR 12	GR 13	GR 32	GR 33	GR 34	GR 55
Fluid	Air						
Port size	1/4"	3/8"	1/2"	3/8"	1/2"	3/4"	1"
Pressure range	0.5 to 9 bar (0.05 to 0.9 MPa, 20 to 130 psi)						
Proof pressure	15 bar (1.5 MPa, 215 psi)						
Temperature range	-20 to 70 °C						
Weight	350 g			720 g		1700 g	

Ordering information

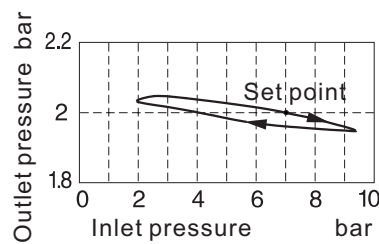
Art. No.	Type
GR 11–GR 55	Pressure regulators, incl. pressure gauge and »HW« mounting bracket

Pressure chart

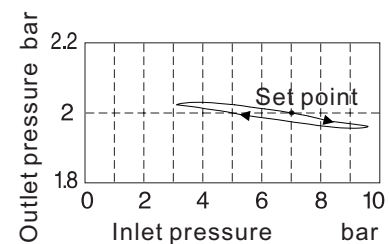
GR 11–GR 13



GR 32, GR 33

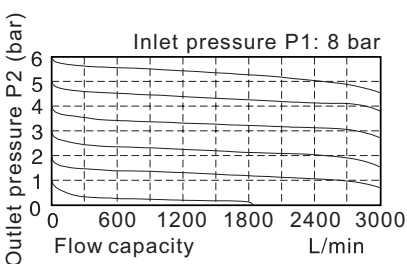


GR 34, GR 55

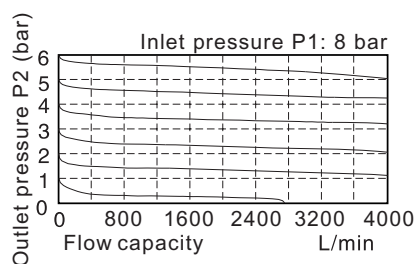


Flow chart

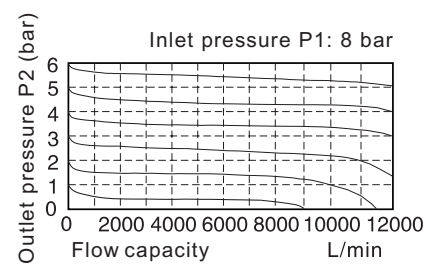
GR 12*, GR 13



GR 32, GR 33



GR 34, GR 55



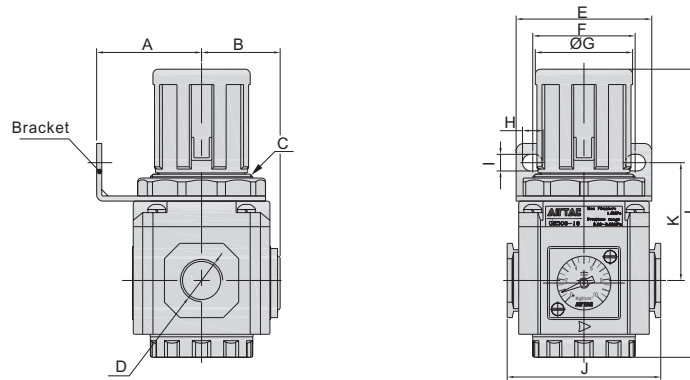
*Flow rates GR 11 approx. 30% less

»G« Series

GR 11-GR 55

Body dimensions

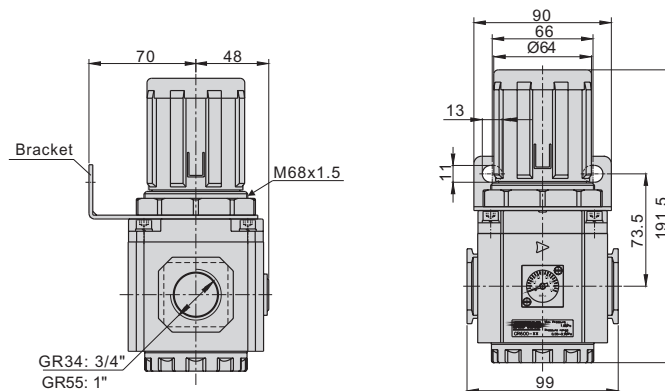
GR 11-GR 13, GR 32, GR 33



Art. No.	A	B	C	D	E	F	G	H	I	J	K	L
GR 11	41	31	M40x1.5	1/4"	53	40	38	8	6.5	60	46	112.5
GR 12	41	31	M40x1.5	3/8"	53	40	38	8	6.5	60	46	112.5
GR 13	41	31	M40x1.5	1/2"	53	40	38	8	6.5	60	46	112.5
GR 32	50	40	M55x2.0	3/8"	72	55	52	11	8.5	80	53	140.5
GR 33	50	40	M55x2.0	1/2"	72	55	52	11	8.5	80	53	140.5

(Values in mm, exception D = inch)

GR 34, GR 55

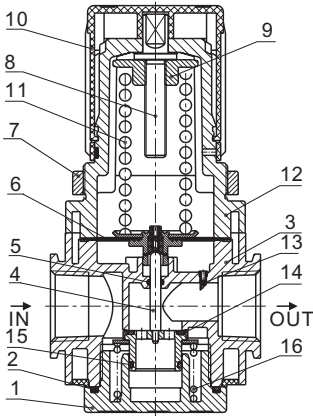


»G« Series

GR 11-GR 55









Components and materials

GR 11-GR 55



No.	Item	Material
1	Valve cap	Aluminum alloy
2	O-ring	NBR
3	Body	Aluminum alloy
4	Spool	Brass (GR 34, GR 55)/POM (other)
5	O-ring	NBR
6	Diaphragm	Stainless steel & Rubber
7	Fixed ring	Aluminum alloy (GR 34, GR 55)/POM (other)
8	Adjusting spindle	Steel
9	Regulator nut	Steel
10	Pressure adjusting knob	POM
11	Pressure spring	Spring steel
12	Adjusting seat	Aluminum alloy (GR 34, GR 55)/POM (other)
13	Feed back tube	POM
14	Pressure plug	Brass & Rubber
15	O-ring	NBR
16	Spring	Stainless steel

Accessories

	For GR 11-GR 13	For GR 32, GR 33	For GR 34, GR 55	Type
	Art. No.	Art. No.	Art. No.	
	GR 11 100	GR 32 100	GR 34 100	Set of wearing parts for pressure regulators/filter regulators
	GR 11 110	GR 32 110	GR 34 110	Replacement diaphragm
	GR 05 120	GR 32 120	GR 32 120	Adapter plate for mounting standard pressure gauges (round)
	110.46-KD	206-KD	206-KD	Standard pressure gauges
	HW 300	HW 400	HW 600	Mounting bracket
	UB 300	UB 400	UB 600	Joiner without wall mounting
	LB 300	LB 400	LB 600	Joiner with wall mounting, 1 drilled hole
	TB 300	TB 400	TB 600	Joiner with wall mounting, 2 drilled holes

(Pictures are similar to product.)