

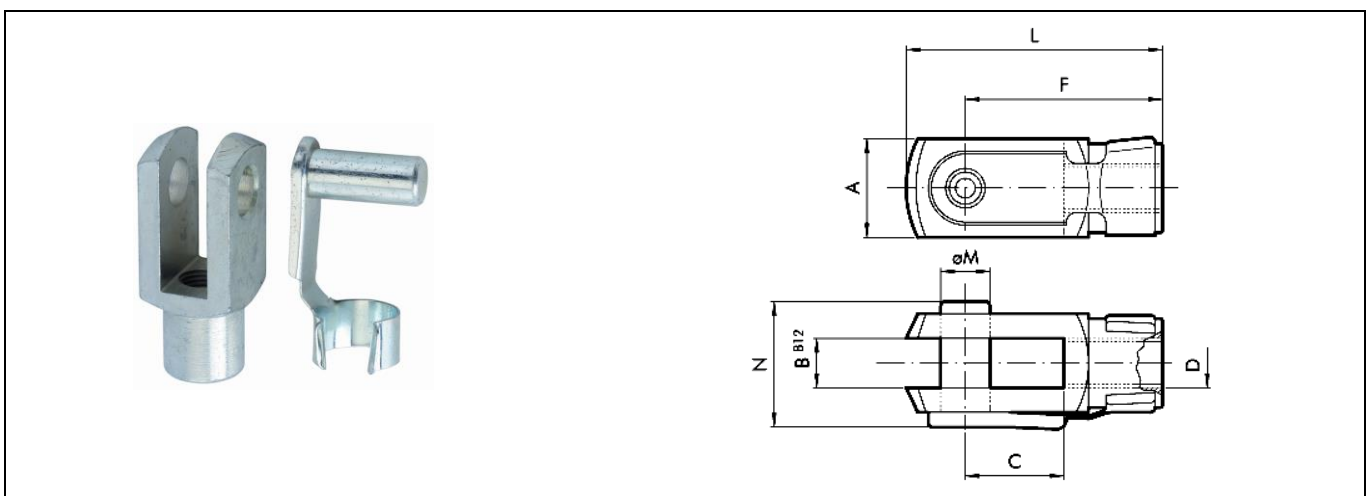
Fixing parts and accessories
Accessories for piston rod
Fork

Fork compatible with piston rod thread

Kit Type No.	Piston Ø	Piston rod thread	Kit comprising	
			Fork Type No.	Threaded nipple Type No.
437.711-M	12	M3	437.31-M	437.701-M
-	16 (not available)	-	-	-
437.713-M	20-25	M5	450.51-M	437.703-M
437.714-M	32-40	M6	450.51-M	437.704-M
437.715-M	50-63	M8	450.53-M	437.706-M
437.716-M	80	M10	450.54-M	437.707-M

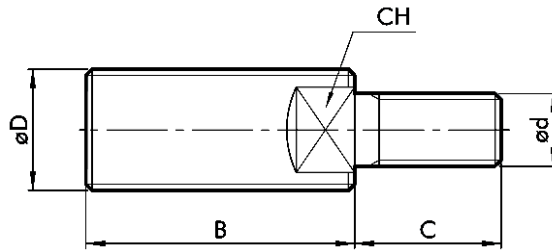
Dimensions [mm] (components)

Type No.	A	B	C	D	F	L	ØM	N	Weight [g]
437.31-M	12	6	12	M6	24	31	6	16	21
437.32-M	16	8	16	M8	32	42	8	22	49
450.51-M	20	10	20	M 10 x 1.25	40	52	10	26	92
450.51-M	20	10	20	M 10 x 1.25	40	52	10	26	92
450.51-M	20	10	20	M 10 x 1.25	40	52	10	26	92
450.51-M	20	10	20	M 10 x 1.25	40	52	10	26	92
450.52-M	24	12	24	M 12 x 1.25	48	62	12	32	150
450.52-M	24	12	24	M 12 x 1.25	48	62	12	32	150
450.53-M	32	16	32	M 16 x 1.5	64	83	16	40	340
450.54-M	40	20	40	M 20 x 1.5	80	105	20	48	683



Threaded nipple for piston rod

For mounting accessories on the rod



Type No.		Ø D	Ø d	B	C	CH	Weight [g]
437.701-M		M 6	M 3	16	6	4	3
437.702-M		M 8	M 5	20	9	6	8
437.703-M		M 10x1.25	M 5	22	9	7	12
437.705-M		M 12x1.25	M 6	24	12	10	14
437.706-M		M 16x1.5	M 8	32	15	13	20
437.708-M		M 20x1.5	M 12	40	18	17	102

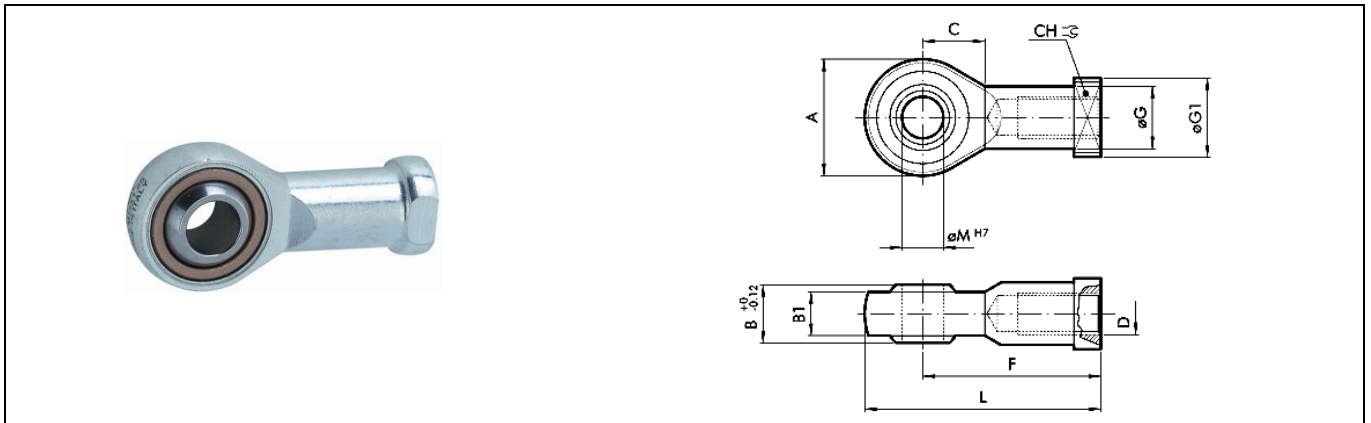
Fixing parts and accessories
Accessories for piston rod
Rod eye

Rod eye compatible with piston rod thread

Kit Type No.	Piston Ø	Piston rod thread	Kit comprising	
			Rod eye Type No.	Threaded nipple Type No.
437.721-M	12	M3	437.41-M	437.701-M
-	16 (not available)	-	-	-
437.723-M	20-25	M5	450.410-M	437.703-M
437.724-M	32-40	M6	450.410-M	437.704-M
437.725-M	50-63	M8	450.420-M	437.706-M
437.726-M	80	M10	450.440-M	437.707-M

Dimensions [mm] (components)

Type No.	A	B	B ₁	C	CH	D	F	ØG	ØG ₁	L	ØM	Weight [g]
437.41-M	20	9	6.75	11	11	M6	30	10	13	40	6	29
437.42-M	24	12	9	13	14	M8	36	12.5	16	48	8	51
450.410-M	28	14	10.5	15	17	M 10 x 1.25	43	15	19	57	10	79
450.410-M	28	14	10.5	15	17	M 10 x 1.25	43	15	19	57	10	79
450.410-M	28	14	10.5	15	17	M 10 x 1.25	43	15	19	57	10	79
450.410-M	28	14	10.5	15	17	M 10 x 1.25	43	15	19	57	10	79
450.420-M	32	16	12	17	19	M 12 x 1.25	50	17.5	22	66	12	117
450.420-M	32	16	12	17	19	M 12 x 1.25	50	17.5	22	66	12	117
450.430-M	42	21	15	23	22	M 16 x 1.5	64	22	27	85	16	228
450.440-M	50	25	18	27	30	M 20 x 1.5	77	27.5	34	102	20	417



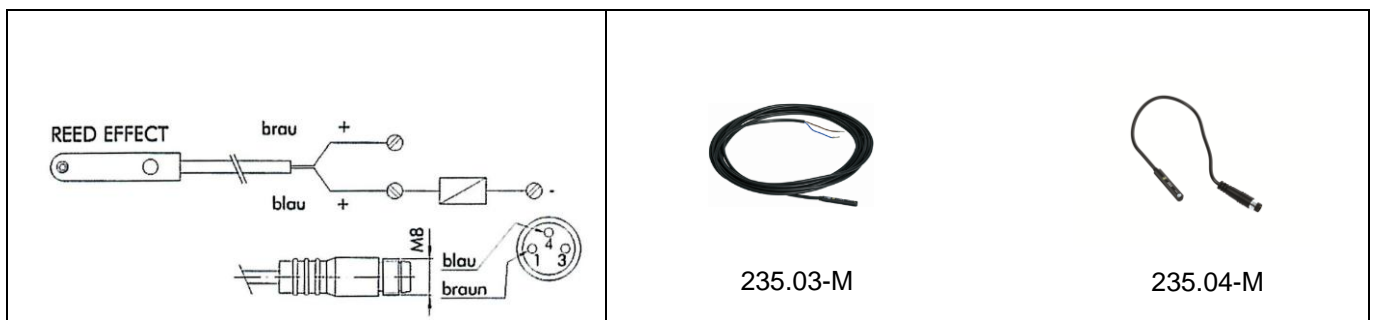
Fixing parts and accessories

Compact cylinders

Sensors

Dimensions [mm]

Type No.	Piston Ø	Designation
235.03-M	12-80	DSL reed sensor, 2-wire, NO, 2.5 m
235.04-M	12-80	DSL reed sensor, 2-wire, NO, 300 mm, M8 plug



Kit


Dimensions [mm]

Type No.	Piston Ø	
235.05-M	12-80	Slotted fixing plate

Plastic strip (500 mm)

Dimensions [mm]

Type No.	Piston Ø	Material
455.06-M	12-80	PVC



Fixing parts and accessories
Accessories for piston rod
Compensating coupling
Dimensions [mm]

Type No.	Piston Ø	A	B	C	D	ØF	ØE	a/f ₁	a/f ₂	a/f ₃	a/f ₄	a/f ₅	Weight [g]
On request	12	M6	10	10	35	8.5	2	5	13	13	7	10	24
	16	M8	20	20	57	12.5	4	7	17	17	11	13	56
	20	M 10 x 1.25	20	20	71	22	4	12	30	30	19	17	216
	25	M 10 x 1.25	20	20	71	22	4	12	30	30	19	17	216
	32	M 10 x 1.25	20	20	71	22	4	12	30	30	19	17	216
	40	M 10 x 1.25	20	20	71	22	4	12	30	30	19	17	216
	50	M 12 x 1.25	24	20	75	22	4	12	30	30	19	19	220
	63	M 12 x 1.25	24	20	75	22	4	12	30	30	19	19	220
	80	M 16 x 1.5	32	32	103	32	4	20	41	41	30	24	620
	100	M 20 x 1.5	40	40	119	32	4	20	41	41	30	30	680

