

Accessories

Self-aligning rod coupler

179940 - 179950
Product features

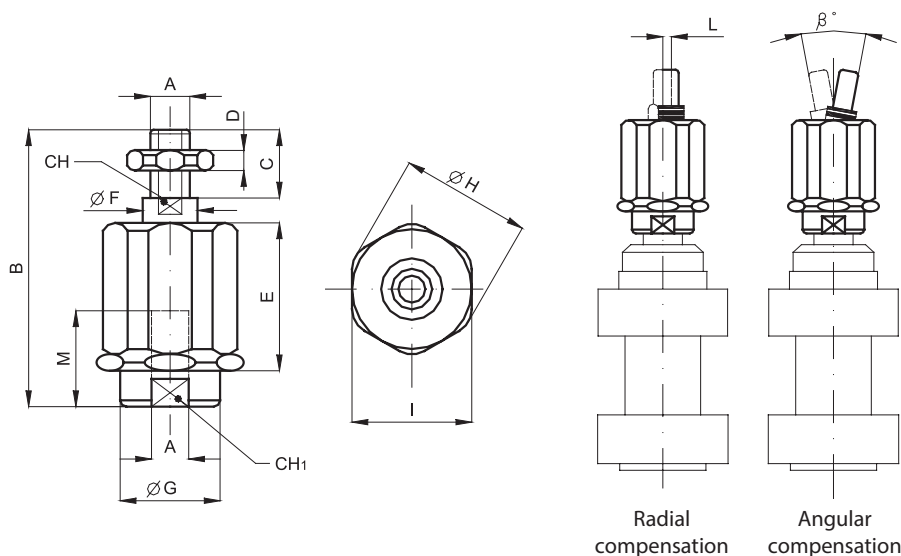
Self-aligning rod couplers mounted on the piston rod thread.
 For compensation of angular and radial misalignments.
 Suitable for applications with high tensile forces.
 Hexagonal nut included.

Material

Zinc plated steel



Exemplary illustration


Dimensions

Art. No.	Type No.	For cylinders	Suitable for piston Ø	I	L	M	CH	β (°)	CH ₁	Max. load (N)	Weight (g)
179940	AKM4	ISO 6432	8-10	12.0	± 0.5	10.0	3.2	± 5.0	12	750	20.0
179941	AKM6	ISO 6432	12-16	13.0	± 0.5	10.0	5	± 5.0	7	1200	23.0
179942	AKM8	ISO 6432 ISO 21287	20 20-25	17.0	± 1.0	20.0	7	± 5.0	10	2500	60.0
179943	AKM10X125	ISO 6432 Round cylinder* ISO 21287 ISO 15552	25 32 32-40 32	30.0	± 1.0	20.0	12	± 5.0	19	5000	230.0
179944	AKM12X125	Round cylinder* ISO 21287 ISO 15552	40 50-63 40	30.0	± 1.0	20.0	12	± 5.0	19	5000	230.0
179945	AKM16X15	Round cylinder* ISO 21287 ISO 15552	50 80-100 50-63	41.0	± 1.0	32.0	19	± 5.0	30	10000	650.0
179946	AKM20X15	ISO 21287 ISO 15552	125 80-100	41.0	± 1.0	40.0	19	± 5.0	30	10000	710.0
179947	AKM27X2	ISO 15552	125	55.0	-	40.0	24	-	32	-	1600.0
179948	AKM36X2	ISO 15552	160-200	75.0	-	40.0	36	-	50	-	5100.0
179949	AKM42X2	ISO 15552	250	85.0	-	40.0	36	-	60	-	9200.0
179950	AKM48X2	ISO 15552	320	90.0	-	40.0	42	-	60	-	-

(Values in mm)

* not ISO 6432

Accessories

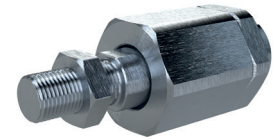
Self-aligning rod coupler 179940 - 179950

Product features

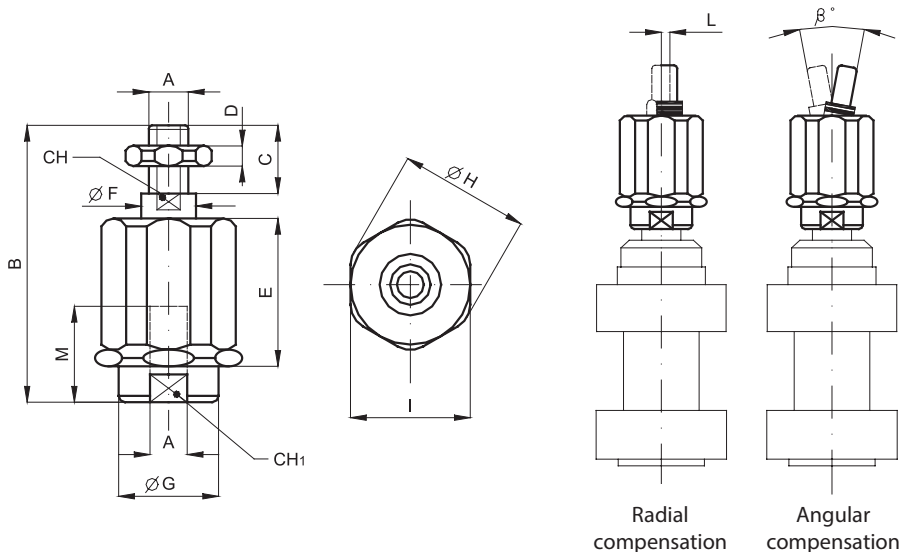
Self-aligning rod couplers mounted on the piston rod thread.
For compensation of angular and radial misalignments.
Suitable for applications with high tensile forces.
Hexagonal nut included.

Material

Zinc plated steel.



Exemplary illustration



Dimensions

Art. No.	Type No.	For cylinders	Suitable for piston Ø	I	L	M	CH	β (°)	CH ₁	Max. load (N)	Weight (g)
179940	AKM4	ISO 6432	8-10	12.0	± 0.5	10.0	3.2	± 5.0	12	750	20.0
179941	AKM6	ISO 6432	12-16	13.0	± 0.5	10.0	5	± 5.0	7	1200	23.0
179942	AKM8	ISO 6432 ISO 21287	20 20-25	17.0	± 1.0	20.0	7	± 5.0	10	2500	60.0
179943	AKM10X125	ISO 6432 Round cylinder* ISO 21287 ISO 15552	25 32 32-40 32	30.0	± 1.0	20.0	12	± 5.0	19	5000	230.0
179944	AKM12X125	Round cylinder* ISO 21287 ISO 15552	40 50-63 40	30.0	± 1.0	20.0	12	± 5.0	19	5000	230.0
179945	AKM16X15	Round cylinder* ISO 21287 ISO 15552	50 80-100 50-63	41.0	± 1.0	32.0	19	± 5.0	30	10000	650.0
179946	AKM20X15	ISO 21287 ISO 15552	125 80-100	41.0	± 1.0	40.0	19	± 5.0	30	10000	710.0
179947	AKM27X2	ISO 15552	125	55.0	-	40.0	24	-	32	-	1600.0
179948	AKM36X2	ISO 15552	160-200	75.0	-	40.0	36	-	50	-	5100.0
179949	AKM42X2	ISO 15552	250	85.0	-	40.0	36	-	60	-	9200.0
179950	AKM48X2	ISO 15552	320	90.0	-	40.0	42	-	60	-	-

(Values in mm)

* not ISO 6432