



Ball valves

Suitable for high-pressure

392.XX

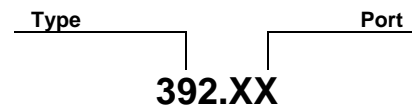
PN 420
PN 500

Steel 1.0715

General

2/2-way ball valves for liquid and lubricating media, depending on the resistance of the processed materials.

Order No.



For solderless tube fittings
DIN 2353 **lightweight** series ISO 8434-1

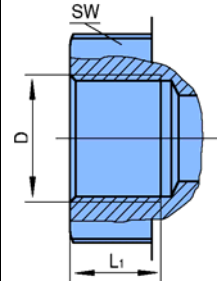
Type	XX	Port D	PN	DN	RA	L ₁	L ₂	L	B	H	H ₁	H ₂	a/f ₁	a/f	Weight
392.	01	M 12x1.5	500	4	6	10	36	67	20	25	10	27.5	7	19	0.20
	02	M 14x1.5	500	6	8	10	36	67	20	25	10	27.5	7	19	0.20
	03	M 16x1.5	500	8	10	11	45	75	30	35	14.5	38.5	8	24	0.42
	04	M 18x1.5	500	10	12	11	45	75	30	35	14.5	38.5	8	24	0.42
	05	M 22x1.5	500	12	15	12	51	83	35	40	17	43.5	10	30	0.63
	06	M 26x1.5	420	16	18	12	50	82	45	45	20	49.0	11	36	0.85
	07	M 30x2	420	20	22	14	60	99	45	55	24	59.0	14	41	1.21
	08	M 36x2	420	25	28	14	70	108	55	60	26	64.0	14	50	1.75
	09	M 45x2	400	32/25	35	16	70	116	55	60	26	64.0	14	50	1.88
	10	M 52x2	400	40/25	42	16	70	121	55	60	26	64.0	14	55	2.05

For solderless tube fittings
DIN 2353 **heavy-duty** series ISO 8434-1

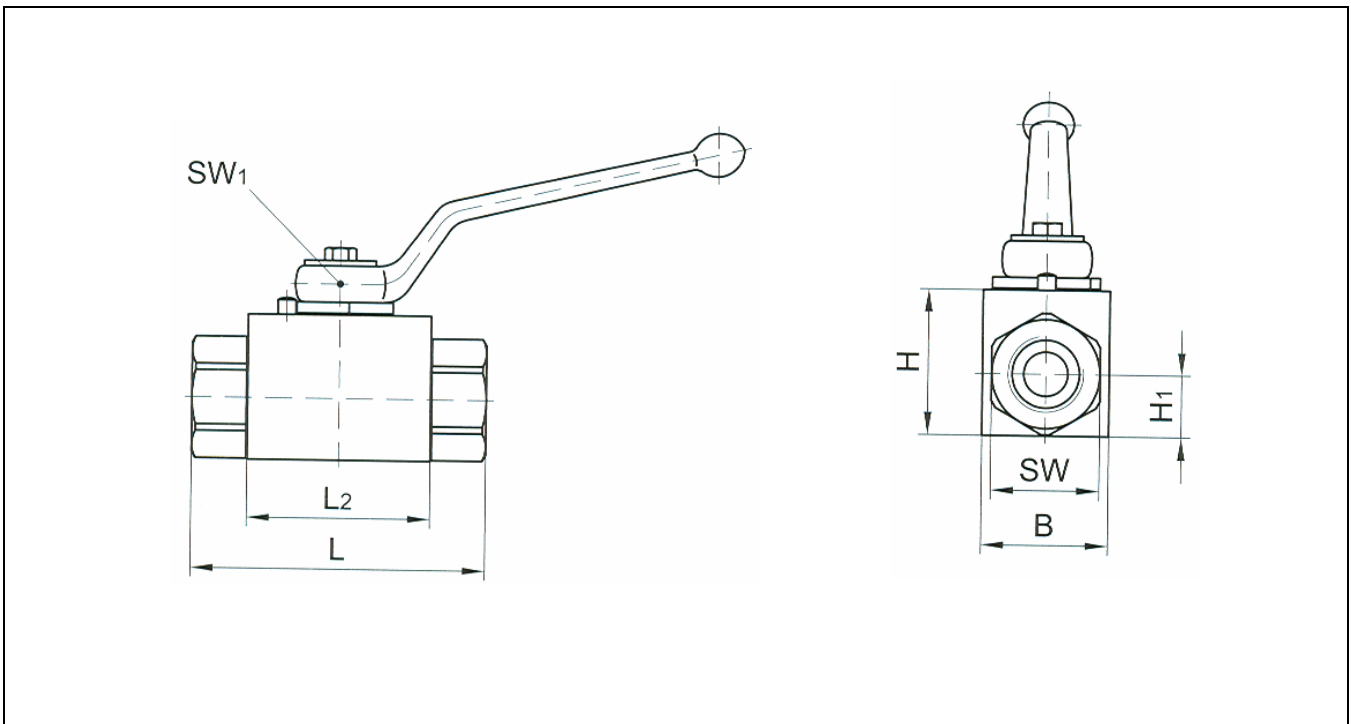
Type	XX	Port D	PN	DN	RA	L ₁	L ₂	L	B	H	H ₁	H ₂	a/f ₁	a/f	Weight
392.	11	M 16x1.5	500	4	8	12	36	73	20	25	10	27.5	7	19	0.22
	12	M 18x1.5	500	6	10	12	36	73	20	25	10	27.5	7	19	0.22
	13	M 20x1.5	500	8	12	12	45	77	30	35	14.5	38.5	8	24	0.43
	14	M 22x1.5	500	10	14	14	45	81	30	35	14.5	38.5	8	24	0.44
	15	M 24x1.5	500	12	16	14	51	87	35	40	17	43.5	10	30	0.65
	16	M 30x2	420	16	20	16	50	90	45	45	20	49.0	11	36	0.89
	17	M 36x2	420	20	25	18	60	107	45	55	24	59.0	14	41	1.29
	18	M 42x2	420	25	30	20	70	120	55	60	26	64.0	14	50	1.88
	19	M 52x2	400	32/25	38	22	70	134	55	60	26	64.0	14	55	2.20

Whitworth pipe threads (BSP)
DIN ISO 228-1

Type XX	Port D	PN	DN	RA	L ₁	L ₂	L	B	H	H ₁	H ₂	a/f ₁	a/f	Weight
392.	21	G 1/8	500	4	12	36	69	20	25	10	27.5	7	19	0.22
	22	G 1/4	500	6	12	36	69	20	25	10	27.5	7	19	0.21
	23	G 3/8	500	10	14	45	73	30	35	14.5	38.5	8	24	0.43
	24	G 1/2	500	12	15	51	82	35	40	17	43.5	10	30	0.67
	25	G 5/8	420	16	18	50	88	45	45	20	49.0	11	36	0.97
	26	G 3/4	420	20	18	60	93	45	55	24	59.0	14	41	1.28
	27	G 1	420	25	18	70	115	55	60	26	64.0	14	50	2.00
	28	G 1 1/4	400	32/25	20	70	134	55	60	26	64.0	14	50	2.05
	29	G 1 1/2	400	40/25	22	70	139	55	60	26	64.0	14	55	2.20



Dimensions



Materials

Body	Free-cutting steel 1.0715
Selector shaft	Free-cutting steel 1.0715
Ball	Free-cutting steel 1.0715, hard chrome-plated
Seals	
- Ball	POM
- Selector shaft	NBR

Options (on request)

- Actuators
- NPT threads
- POM/FPM or PTFE/FPM seals