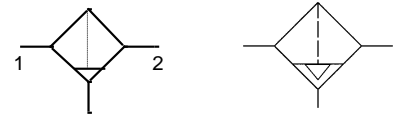



Filter
Size 4
FU 6130 FU 6140
G 3/4
FU 6131 FU 6141
G 1
5 µm

Description

- **Filter** for cleaning compressed air as a centrifugal filter in the "**Futura**" series.
- "KP300" or "WK 103" joiner set for seamless integration with other devices.

Characteristics

Type	FU 6130 FU 6140	FU 6131 FU 6141
Port (thread)	G 3/4	G 1
Type of construction	- Centrifugal filter - Sintered metal filter 5 µm	
Medium	Compressed air, neutral gases	
Mounting position	Vertical, bowl at bottom	
Temperature Medium / ambient	Max. 50°C	
Input pressure Pin - With semi-automatic drain - With automatic drain - With manual drain	Min. 1.5 bar Min. 1.5 bar Max. 16 bar	
Filter rating	Pore size 5 µm	
Bowl capacity	87 cm ³	
Condensate drain	Semi-automatic – pressureless exhaust (semi) / fully automatic (auto)	
Weight	0.930 kg (semi) / 0.950 kg (auto)	
Mounting type	Bracket, wall mounting	

Materials

Part	Material
Head piece	PA66 GF60
Bowl	Polycarbonate
Bowl guard	Polyamide
Metal bowl	Die-cast zinc
O-rings	NBR
Filter element	Cellpor (polyethylene)
Threaded plates	Die-cast zinc Z 410

Ordering information

- The filters are delivered in single packs
- Ordering code for metal bowl with "-M"
Example: FU 6130-M

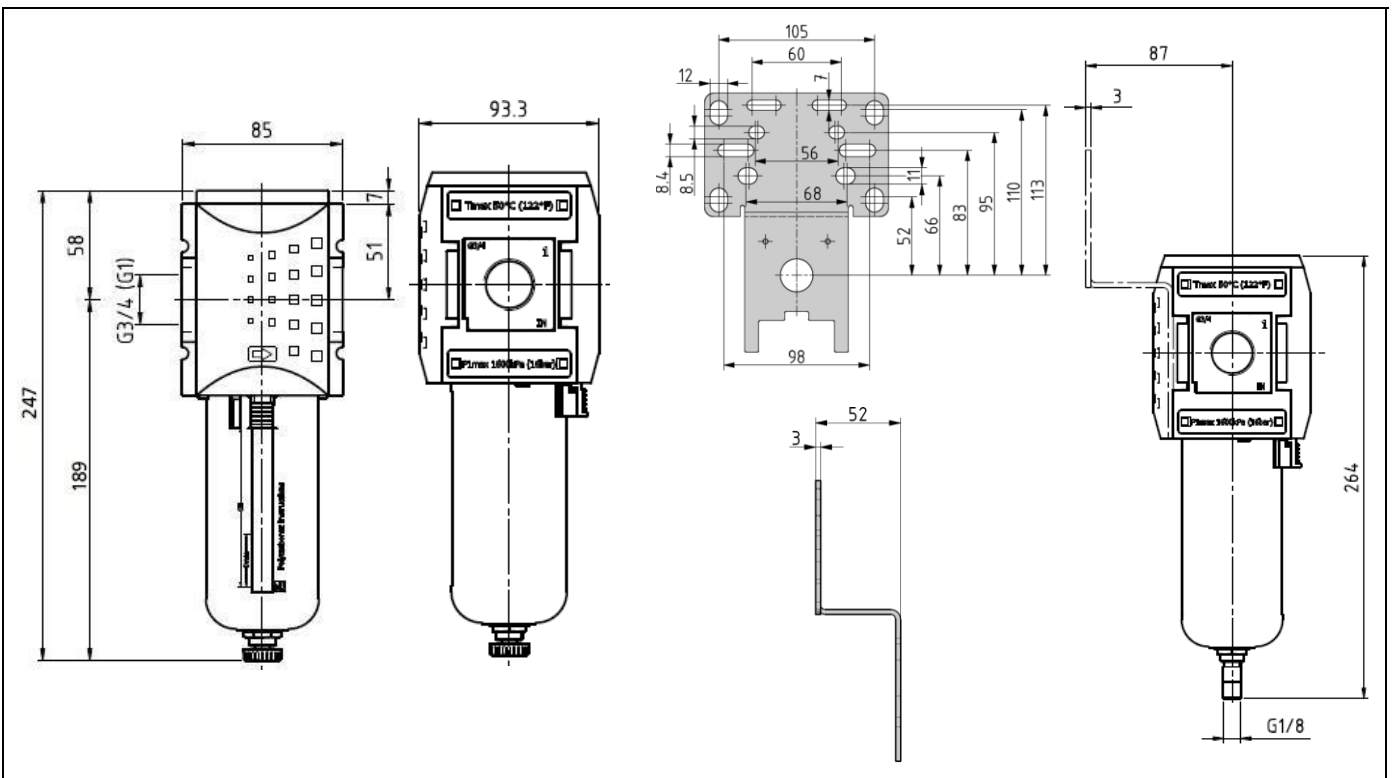
Accessories

Designation	Art. No.
Mounting bracket, incl. screws	H 854
Joiner set with wall bracket	WK 103
Joiner set	KP 300
Polycarbonate bowl with bowl guard / filter	BSF 34
Polycarb. bowl with fully autom. drain valve	BSF 34-A
Metal bowl / filter	MF 34
Metal bowl with fully automatic drain valve	MF 34-A
Wall bracket with connection thread G 3/4	WK 104-34
Wall bracket with connection thread G 1	WK 104-1

Spare parts

Designation	Art. No.
Filter element 5 µm	6141.6.905
Automatic drain valve	655.6.900

Dimensions



Flow rates

Flow characteristic

