



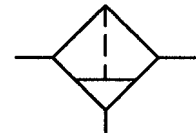
Filter

Size 5

650 H

G 2

60 µm
8 µm



Characteristics

Type	650 H
Port	G 2 G 1 ¼ and G 1 ½ on request
Type of construction	Centrifugal filter Sintered filter element Special versions on request
Input pressure p ₁	Max. 16 bar with plastic bowl Max. 25 bar with metal bowl
Input pressure p ₁ with fully-automatic drain	Max. 16 bar Min. 1.5 bar
Mounting position	Vertical, drain plug at bottom
Mounting type	Two through holes
Filter rating	60 µm, 8 µm on request
Bowl capacity	Max. 300 cm ³ condensate
Condensate drain	Manual, semi-automatic Fully-automatic on request
Weight [g]	3500

Ordering information



Port	
H	G 2 G 1 ¼ and G 1 ½ on request
Options	
K-HA	Plastic bowl
M	Metal bowl
S	Bowl guard

Order example: 650 H / K-HA

Please use the suffix **A**« to order fully-automatic drain

Materials

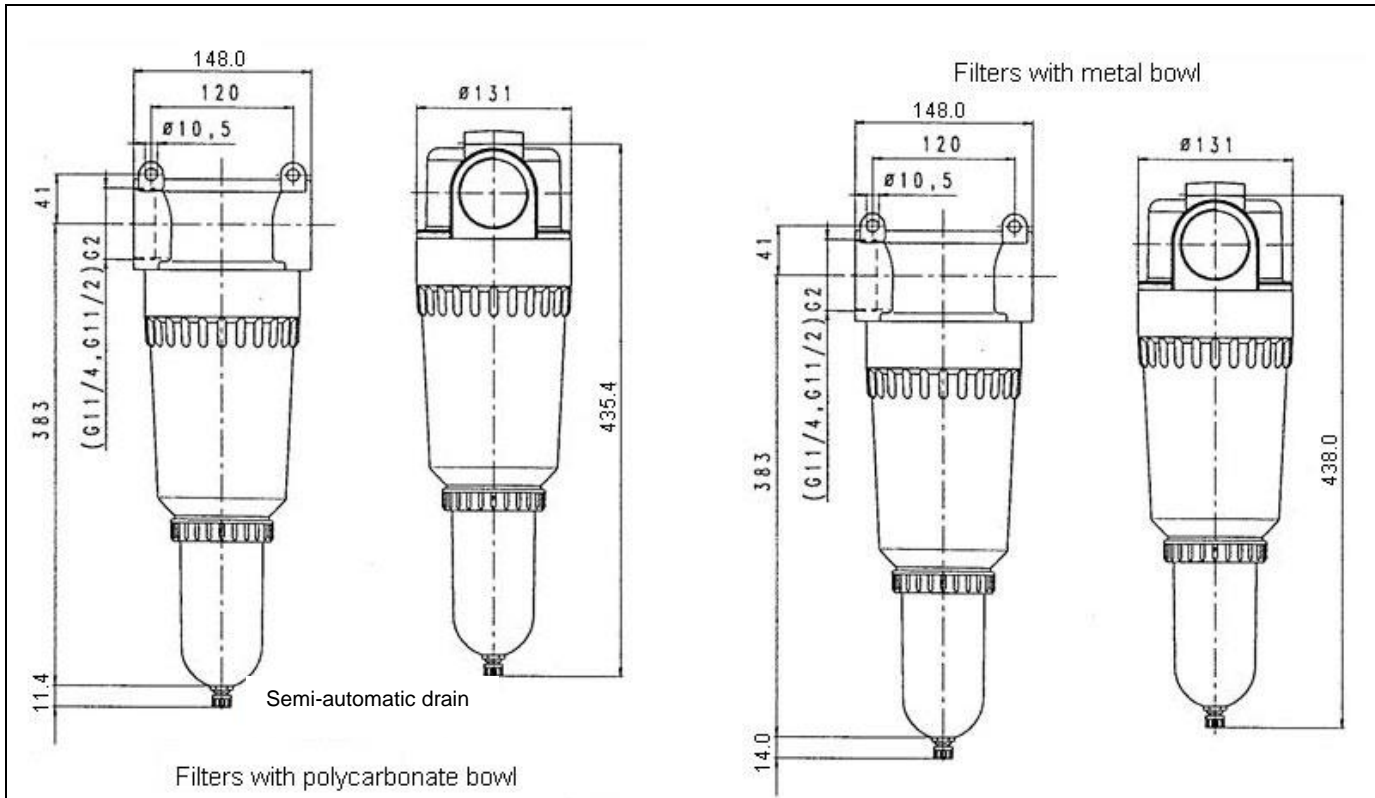
Part	Material
Head piece (body)	Zinc - Z 410
O-ring 68 x 3	NBR
Filter element 60 µm	Cellpor (Polyethylene)
Condensate bowl	Polycarbonate
Baffle	Al
Air deflector	PA

Description

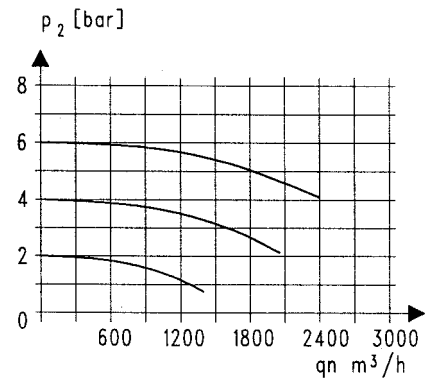
- Standard design
- Flow direction indicated by arrows
- Entry in direction of arrow
- Filter rating acc. to ISO 4003, glass bead test

Accessories

Designation	Order No.
Filter element 60 µm Cellpor	658.6.9600
8 µm Cellpor	658.6.9008
8 µm Sinterbronze	658.6.908
Plastic bowl	650/2-HA
Metal bowl	650/12
Bowl guard, incl. threaded ring	SK 03
Fully-automatic drain (external)	65/0-N
Fully-automatic drain (internal)	655.6.900

Dimensions [mm]

Flow rates

Output pressure p_2		6
Nominal flow ($\Delta p = 1$ bar)	QN m^3/h	30000

Flow characteristic

Main spare parts

Part	Part No.
Filter element, 60 μm	658.6.9600
Filter element 8 μm	658.6.9008
Filter element 8 μm	658.6.908